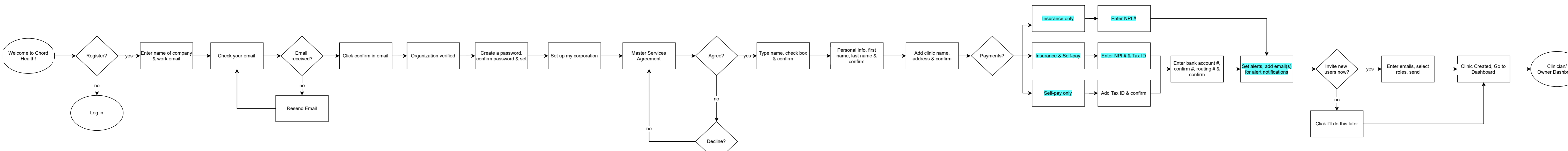
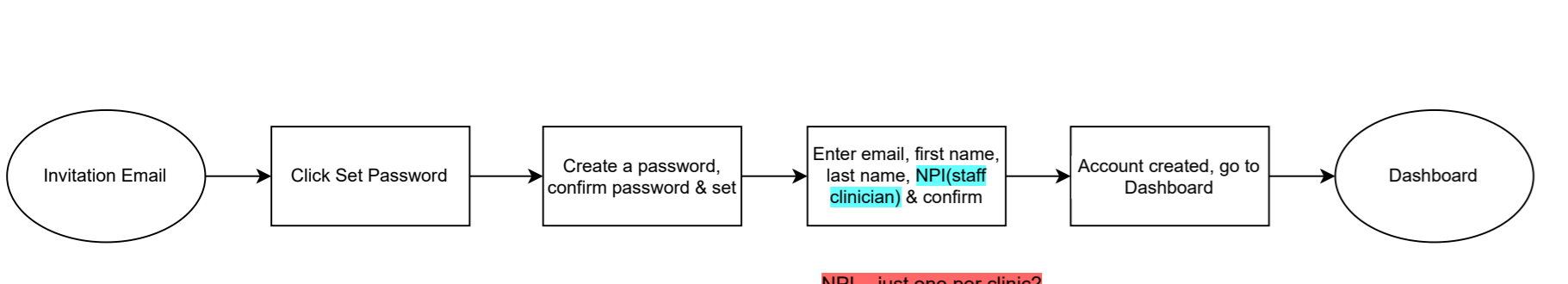


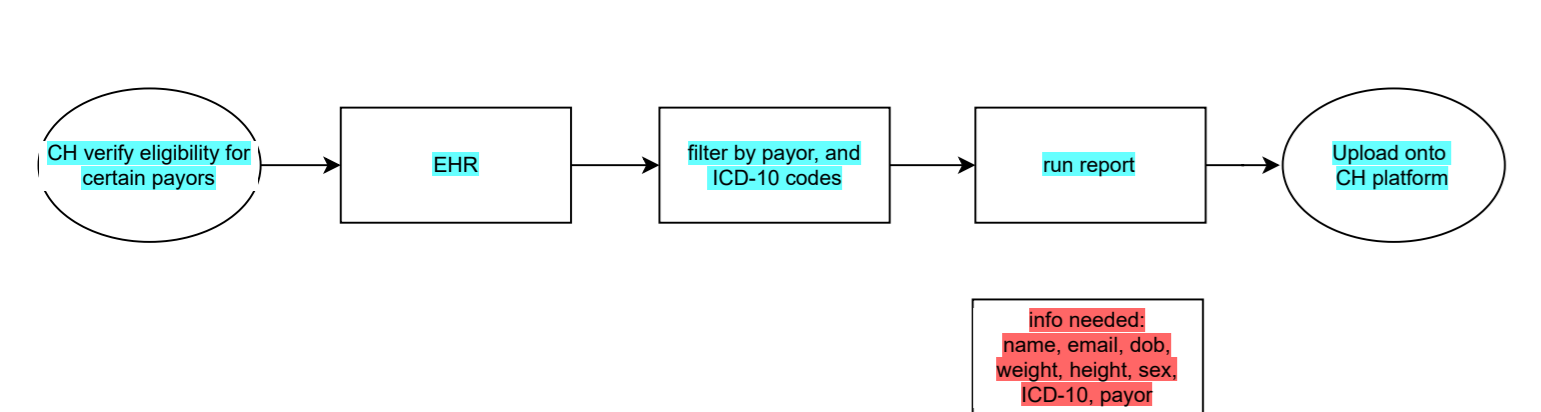
Web App - Clinic Registration



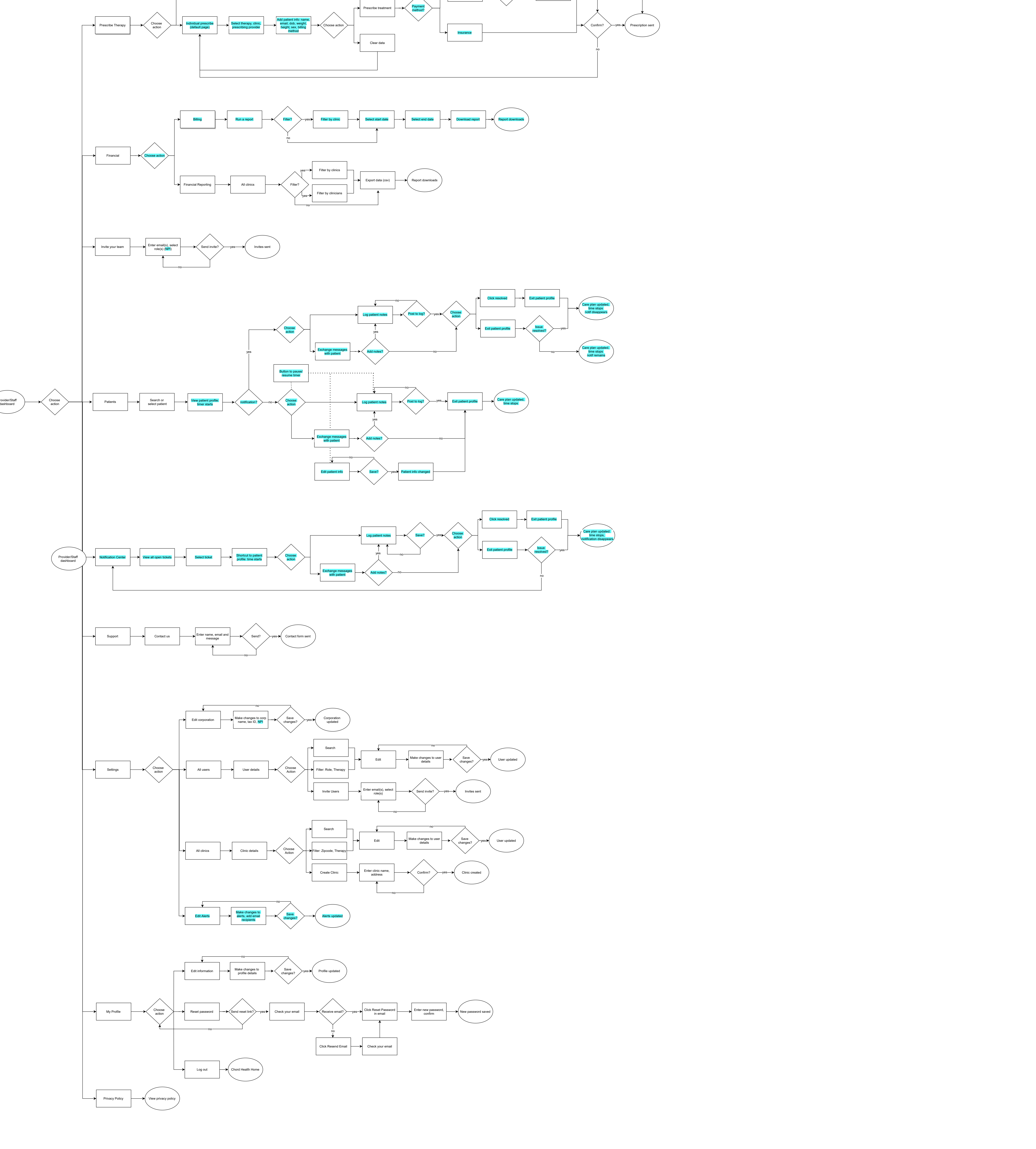
Web App - Provider Staff Onboarding



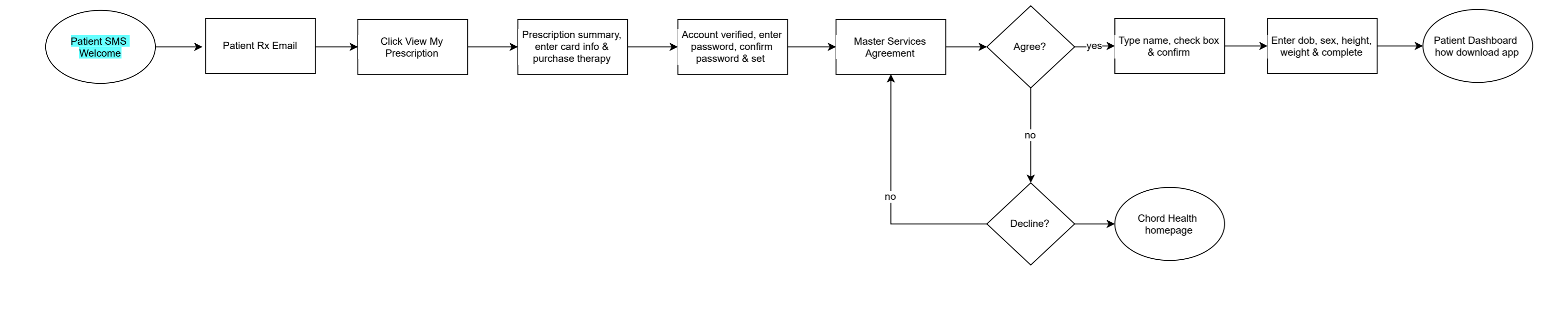
Web App - Bulk Patient Upload



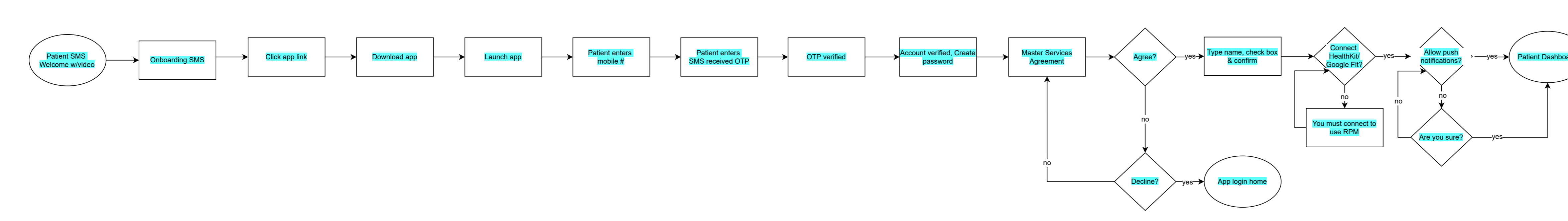
Web App - Provider Day to Day



Patient Onboarding - Self-Pay



Patient Onboarding - Insured



Mobile App / Web App - Patient Day to Day

